

HALCYONICS_ACOUSTIC

ACOUSTIC NOISE ISOLATION



ACOUSTIC NOISE ISOLATION: HALCYONICS_ACOUSTIC

Halcyonics acoustic enclosures have been designed as accessory to our active vibration isolation systems but they are also available as stand-alone devices.

Due to a multi-layer wall construction, the enclosure provides broadband damping of airborne and structure-borne noise, caused by e. g. air conditioning, ventilation or vacuum pumps. The walls are inclined at 4° to prevent sound waves from spreading. The entire front part of the acoustic enclosure can be effortlessly lifted by a gas pressure actuated mechanism. This provides optimal access to the internal chamber and the set-up inside.

The light-weight construction of the acoustic enclosures enables the use in locations with limited floor load-bearing capacity. To ensure their stability during operation, larger versions are usually mounted on a solid steel frame.

To meet the requirements of our customers, we offer a wide range of customizations regarding dimensions and cable port.



ACCESSORIES AND OPTIONS

- Steel support frame
- Selectable position of the cable port
- Modifications according to customer requirements

KEY FEATURES :

- Broadband damping of acoustic noise through multi-layer wall construction.
- Smooth gas pressure spring opening.
- Light-weight design compared to steel enclosures.
- Easy access to the interior chamber.
- 4° wall inclination to avoid sound wave spreading.

SELECTED EXAMPLES



■ Acoustic Enclosure_200 with Nano 20



■ Acoustic Enclosure_200 closed



■ Acoustic Enclosure with i4large and support frame

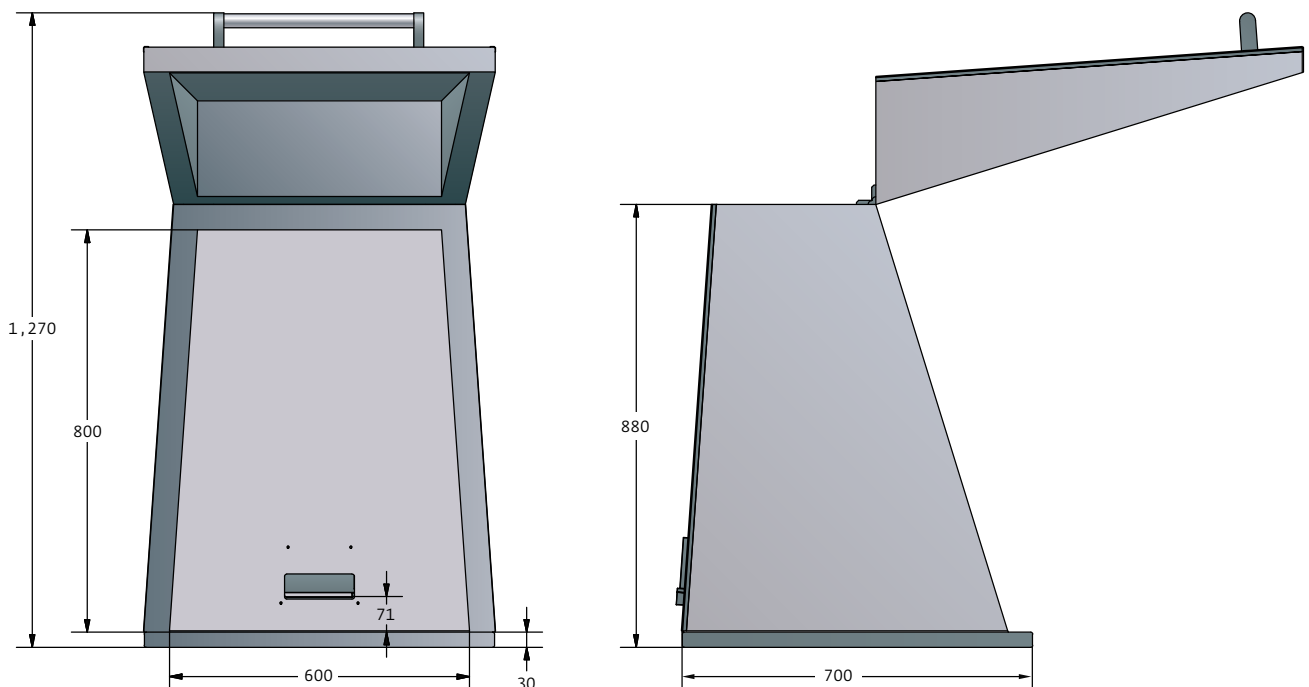
SPECIFICATIONS	AE_200	AE_600	AE_780	AE_900
Inside dimensions (L × W × H)	352 × 352 × 415 mm 13.9" × 13.9" × 16.3"	600 × 600 × 800 mm 23.6" × 23.6" × 31.5"	780 × 600 × 940 mm 30.7" × 23.6" × 37"	950 × 750 × 940 mm 37.4" × 29.5" × 37"
Outside dimensions (L × W × H)	450 × 450 × 500 mm 17.7" × 17.7" × 19.7"	700 × 700 × 880 mm 27.6" × 27.6" × 34.6"	950 × 770 × 1,000 mm 37.4" × 30.3" × 39.4"	1,070 × 920 × 1,000 mm 42.1" × 36.2" × 39.4"
Weight	20 kg / 44 lbs	70 kg / 154 lbs	80 kg / 176 lbs	100 kg / 220 lbs
Isolation technology	Multi-Layer wall construction using organic fiber board with outer melamin resin surface and acoustic isolation foam based on polyether-polyurethane materials on the inside.			
Flammability of foam damping layer (FMVSS 302 DIN 75 200)	< 100 mm / min.			
Door lifting	2 gas pressure springs			
Handle(s)	Aluminum alloy, tubular			
Cable port dimensions	140 × 25 mm / 5.5" × 1"			
Environmental and operational requirements	Relative humidity: 0 – 90 % Operating altitude: < 2,500 m / 8,100 ft			

Note: The acoustic enclosures are not cleanroom compatible.

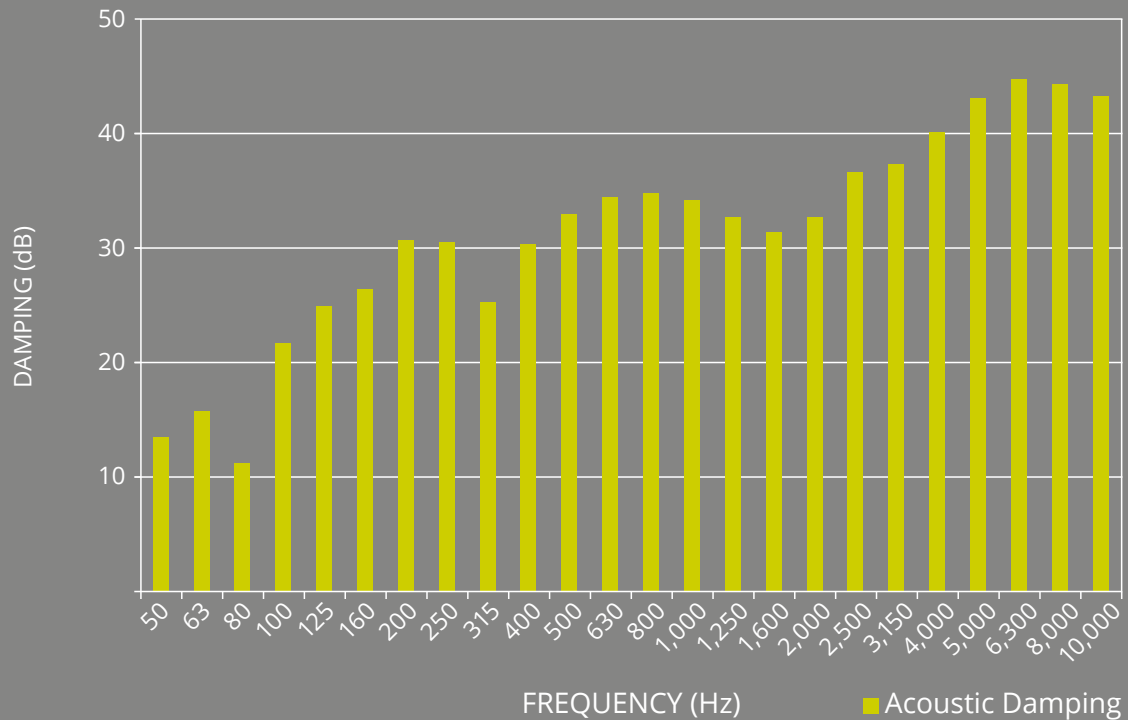
Errors and omissions excepted.

AE_600

Inside dimensions:
600 × 600 × 800 mm
23.6" × 23.6" × 31.5"



SOUND POWER LEVEL REDUCTION OF ACOUSTIC ENCLOSURE_780 (EN_11546-1)



HEADQUARTERS GOETTINGEN, GERMANY

Accurion GmbH
 Stresemannstrasse 30
 37079 Goettingen, Germany

Phone: +49(0)551.999 60.0
 Fax: +49(0)551.999 60.10
 E-Mail: info@accurion.com
 Web: www.accurion.com

NORTH AMERICA

Accurion, Inc.
 514 Progress Drive, Suite G
 Linthicum Heights, MD 21090, USA

Phone: +1-410.636.3355
 Fax: +1-866.387.1714
 E-Mail: info@accurion.com
 Web: www.accurion.com

INDIA

Accurion Scientific Instruments Pvt. Ltd.
 Flat 307, S.S Residency
 29th Main, 2nd C Cross
 BTM Layout, 1 Stage, 1 Phase
 Bangalore 560 068, India

Phone: +91(0)80.2668.9178
 E-Mail: sharma@accurion.com
 Web: www.accurion.com

CHINA

Accurion Scientific Instruments (Shanghai) Co. Ltd.
 Rm. 502, Xuhui Commercial Building,
 No. 168, Yude Road
 Xuhui District
 Shanghai 200030, China

Phone: +86-(0)21.5017.9099
 E-Mail: fz@accurion.cn
 Web: www.accurion.com.cn